

TECHNICAL MANUAL TRACK AND SUPPLIES

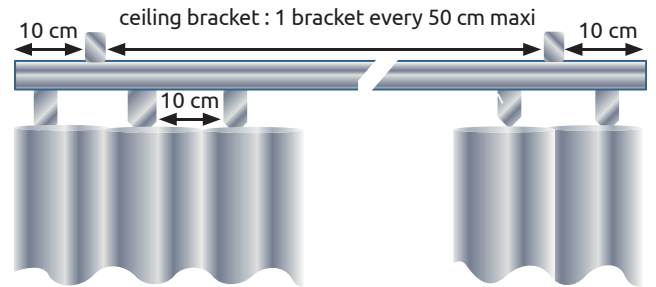
3 Way RAIL

Product	Product reference
3 Way RAIL 6710	6710

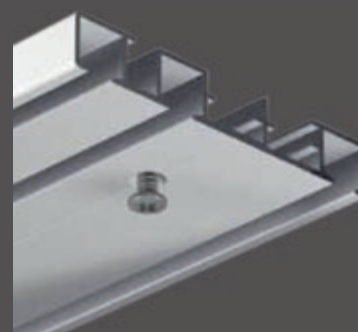
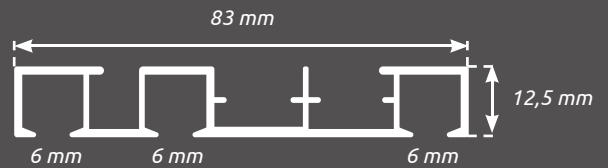
Adapted to the installation of a curtain and curtains with crossing.

TECHNICAL INFORMATION:

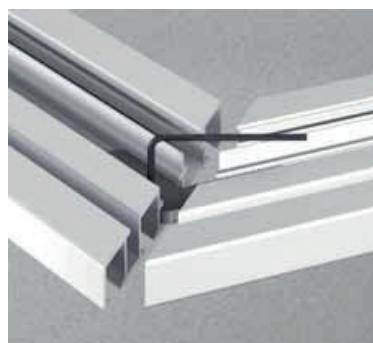
Size: 12,5 x 83 mm
 Weight: 700 g/ml
 Material: extruded aluminium
 Curtain maximum weight: 8 kg/ml
 Available colours: laquered white (Ral 9016)
 A slider every 10 cm approximately.



STANDARD ASSEMBLY:



CURVED RAIL 6710 :



Return 90°