

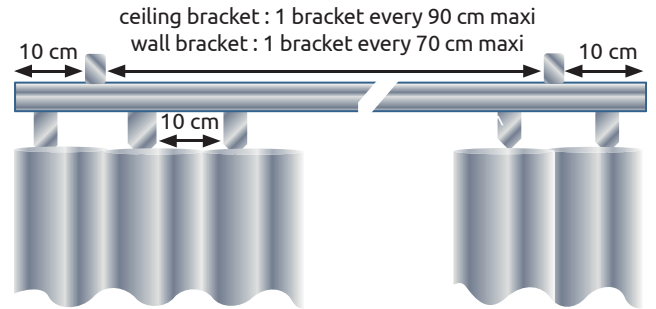
## TECHNICAL DATA SHEET TRACK & SUPPLIES DS RAIL

Product	Product reference
<b>RAIL DS</b>	<b>DS</b>

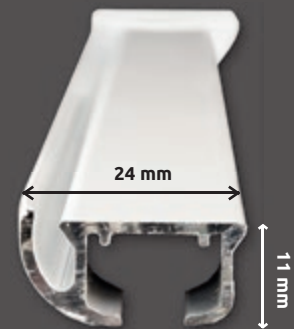
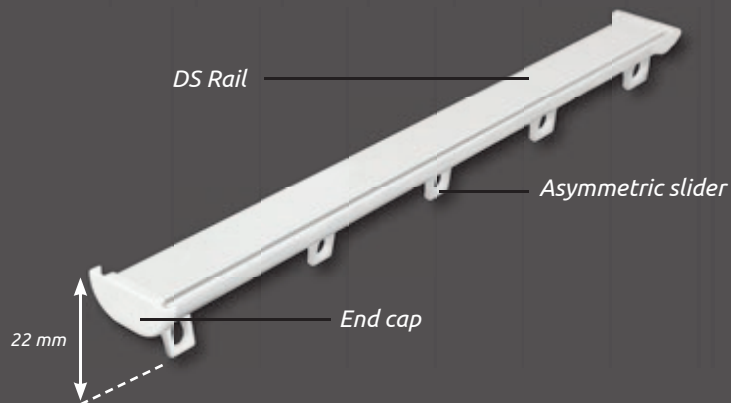
*Thinner and more decorative, with a minimum clutter.*

### TECHNICAL INFORMATION :

Size: 11 x 24 mm  
 Weight: 170 grams per meter  
 Material: extruded aluminium  
 Curtain maximum weight: 6 kg/ml  
 Available colours: lacquered white (RAL 9016)  
 A slider every 10 cm approximately.



### STANDARD ASSEMBLY :



**DS end cap**  
Ref. 4816101



**DS/KS asymmetric slider**  
Ref. 791 501

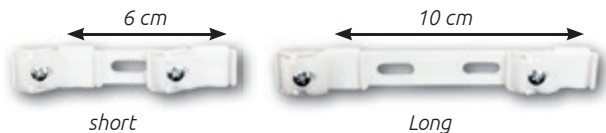
### OPTIONAL ACCESSORIES :



**DS brake slider**  
Ref. 786 461



**Clip ceiling bracket**  
Ref. 770 161 C



**Automatic ceiling bracket**  
**double short** Ref. 1018611  
**double long** Ref. 1018601



**False ceiling bracket**  
 Ref. 104 005

**CEILING BRACKET :**

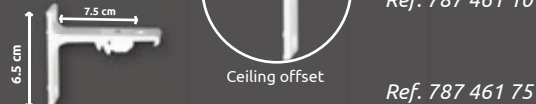
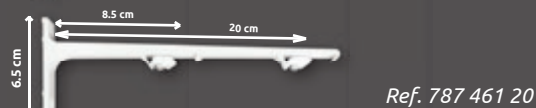
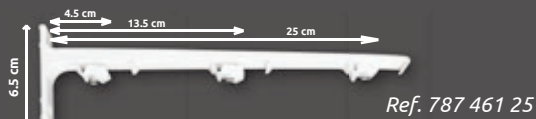


**Automatic ceiling bracket with cover (standard)**  
 Ref. 785 161

**WALL BRACKET :**

**REINFORCED ALUMINIUM BRACKETS**

Available in white, grey and black



**STEEL BRACKETS**

Available in white



**ADJUSTABLE STEEL BRACKETS**

Available in white



**Double bracket**  
 Ref. 102 080 1195



**Simple bracket**  
 Ref. 102 080 1115

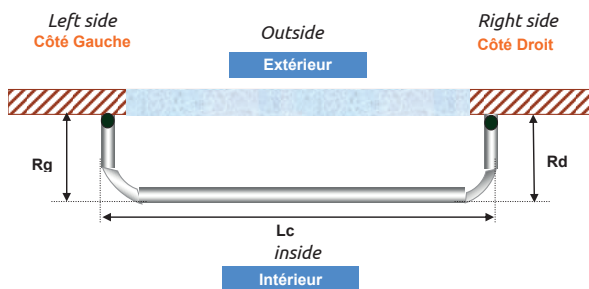
**CURVED DS TRACK:** The DS track also exists as a curved rail with a 10 CM BENDING RADIUS.



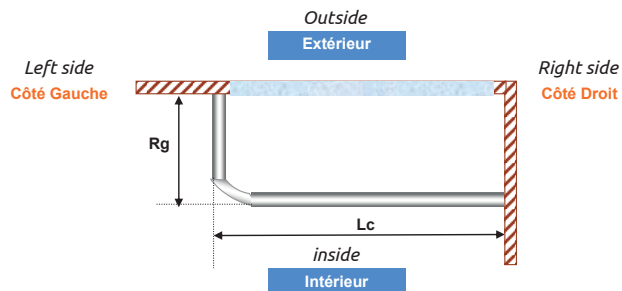
The curved DS track is used with the same accessories as the KS rail (seen previously on this technical data sheet).

**3 POSSIBLE CONFIGURATIONS (WITHOUT SHEER):**

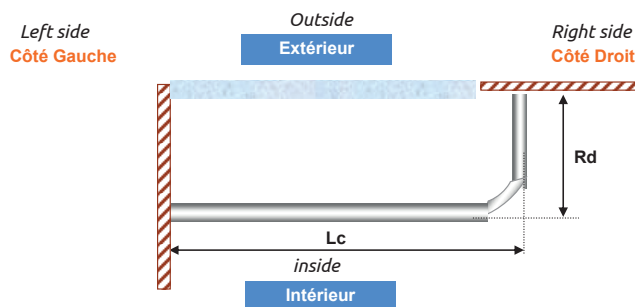
Minimum length Rg and Rd: 15 cm



DS rail – 2 angles of 90°:  
1 or 2 curtains



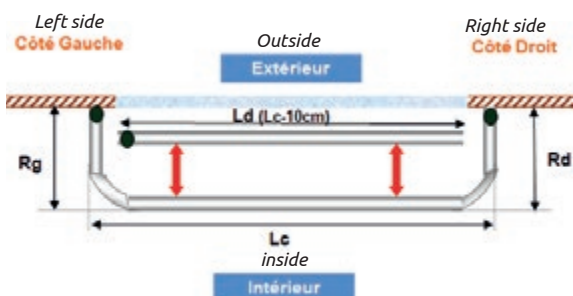
DS rail – 1 angle of 90° (Left side):  
1 Curtain



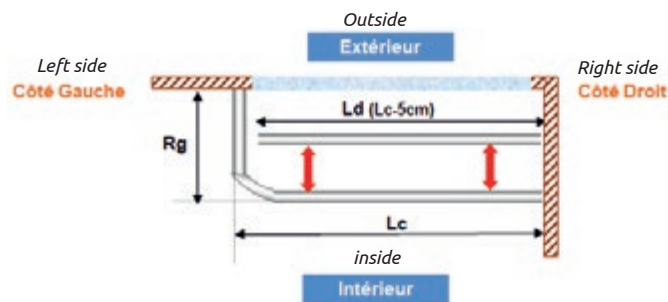
DS rail – 1 angle of 90° (Right side):  
1 Curtain

**3 POSSIBLE CONFIGURATIONS (WITH SHEER):**

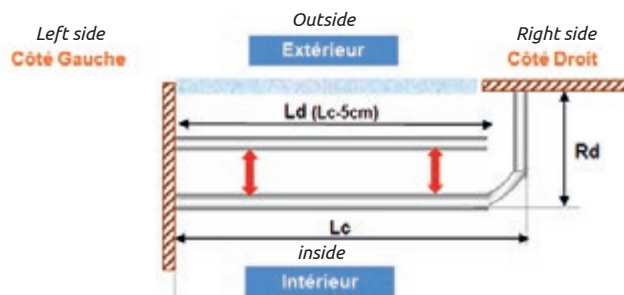
Minimum length Rg and Rd: 16 cm



DS rail – 2 angles of 90°:  
1 or 2 curtains + shear



DS rail – 1 angle of 90° (Left side):  
1 Curtain + shear



DS rail – 1 angle of 90° (Right side):  
1 Curtain + shear