

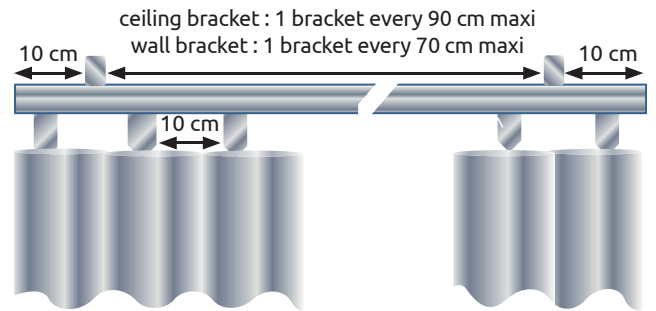
TECHNICAL DATA SHEET TRACK & SUPPLIES KSC RAIL

Product	Product reference
RAIL KSC	KSC

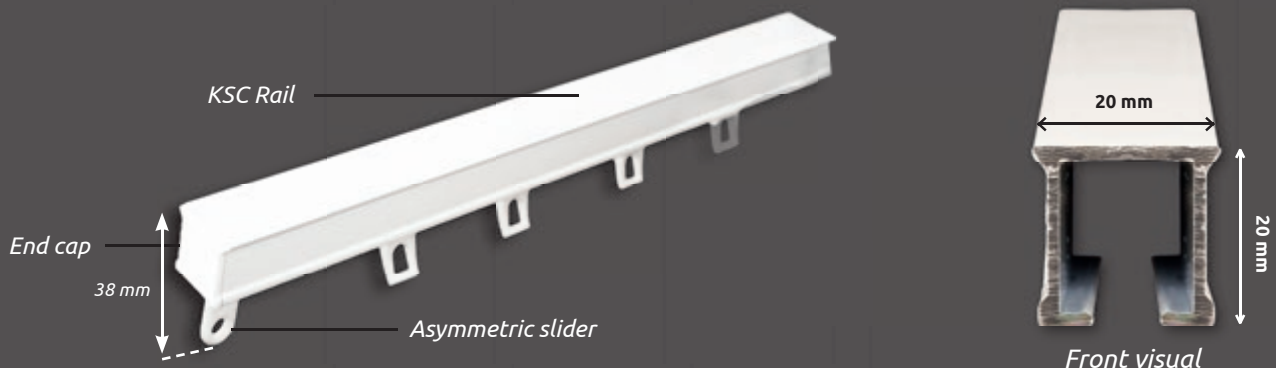
For heavy curtains laying, most suitable for frontal laying. Very resistant manual system, ideal for hotels, schools, hospitals, offices...

TECHNICAL INFORMATION :

Size: 20 x 20 mm
 Weight: 235 grams per meter
 Material: extruded aluminium
 Curtain maximum weight: 12 kg/ml
 Available colours: lacquered white (RAL 9016)
 A slider every 10 cm approximately.



STANDARD ASSEMBLY :



OPTIONAL ACCESSORIES:



KSC brake slide
Ref. 2510201



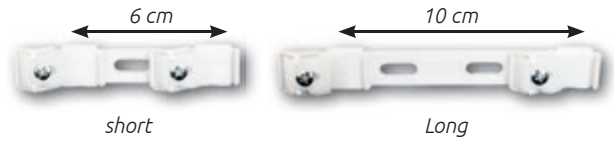
Start support KS + KSC
Left ref: 1016601
Right ref: 1016701



KSC rail splice
Ref. 251 840 1



False ceiling bracket
Ref. 104 005



Automatic ceiling bracket double
short Ref. 1018611
long Ref. 1018601



KSC ball-bearing slider
Ref. 826 501



Overlap slider
Ref. 794 501

CEILING BRACKET :



Automatic ceiling bracket with cover (standard)
Ref. 785 161

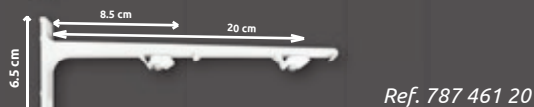
WALL BRACKET :

REINFORCED ALUMINIUM BRACKETS

Available in white, grey and black



Ref. 787 461 25



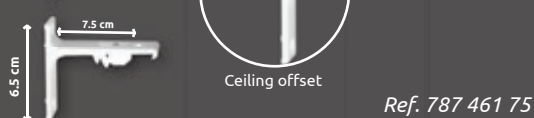
Ref. 787 461 20



Ref. 787 461 15



(STANDARD)
Ref. 787 461 10



Ref. 787 461 75

STEEL BRACKETS

Available in white



Ref. 786 161 150



(STANDARD)
Ref. 786 161 100



Ref. 786 161 60



Ref. 786 161 35

ADJUSTABLE STEEL BRACKETS

Available in white



Double bracket
Ref. 102 080 1195



Simple bracket
Ref. 102 080 1115

CURVED KSC TRACK: The KSC rail also exists as a curved rail with a **15 CM BENDING RADIUS**.



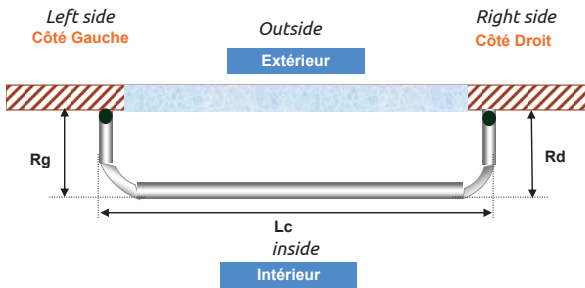
The curved KSC track is used with the same accessories as the KSC rail (seen previously on this technical data sheet).

Example of a curved KSC track with curtains + shear:

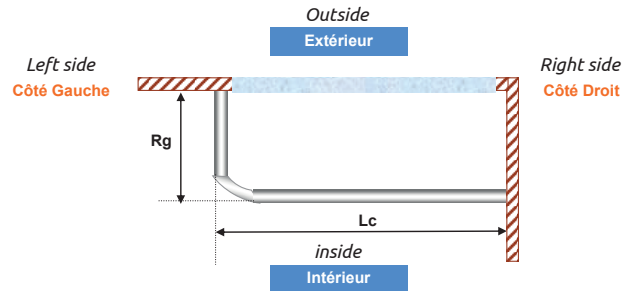


3 POSSIBLE CONFIGURATIONS (WITHOUT SHEER):

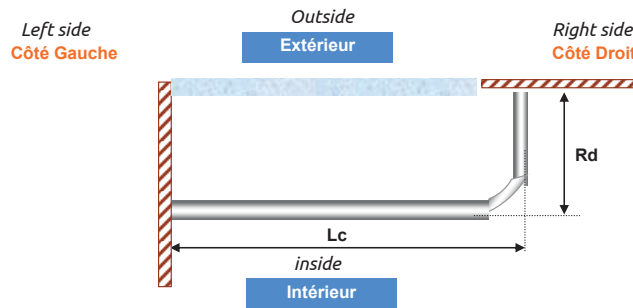
Minimum length R_g and R_d : 20 cm



KSC rail – 2 angles of 90°:
1 or 2 curtains



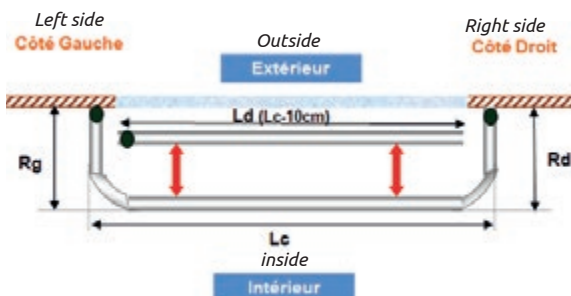
KSC rail (BL) – 1 angle of 90° (Left side):
1 Curtain



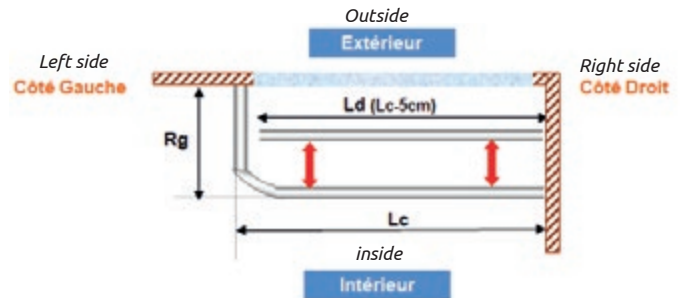
KSC rail (BL) – 1 angle of 90° (Right side):
1 Curtain

3 POSSIBLE CONFIGURATIONS (WITH SHEER):

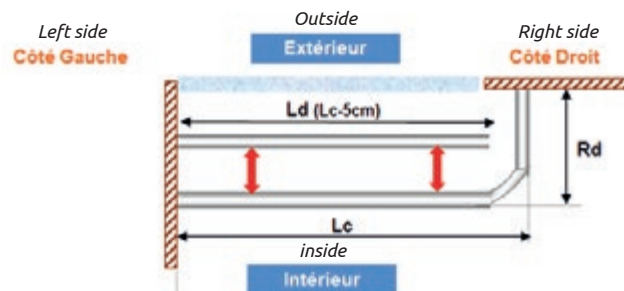
Minimum length R_g and R_d : 20 cm



KSC rail – 2 angles of 90°:
1 or 2 curtains + shear



KSC rail (BL) – 1 angle of 90° (Left side):
1 Curtain + shear



KSC rail (BL) – 1 angle of 90° (Right side):
1 Curtain + shear