

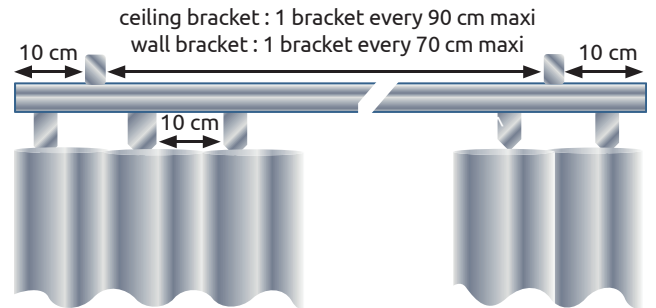
TECHNICAL MANUAL TRACK AND SUPPLIES SHUTTLE RAIL

| Product | Product reference |
|--|-------------------|
| Silent motorized curtain rail shuttle | SHUTTLE |

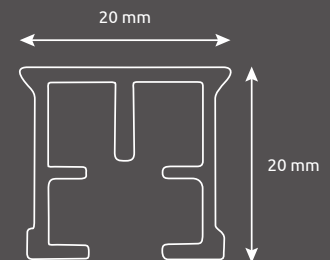
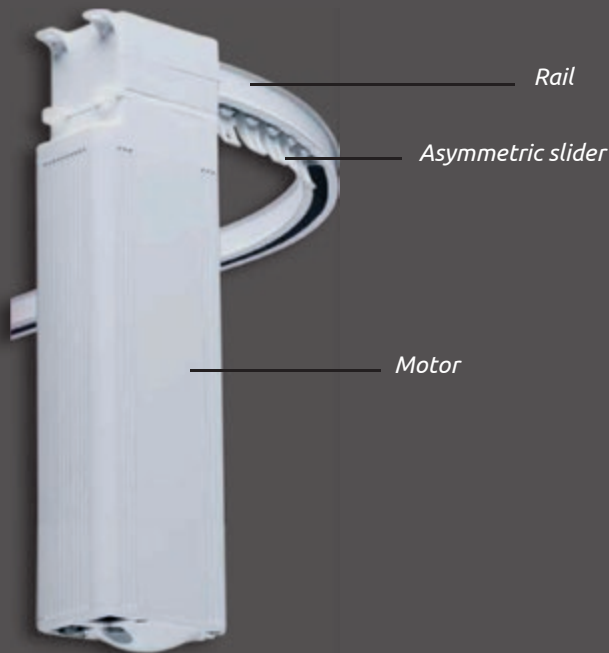
Motor rail for curtains

TECHNICAL INFORMATION:

Size: 20 x 20 mm
 Weight: 303 grams per meter
 Material: extruded aluminium
 Curtain maximum weight: 8 kg/ml
 Curtain maximum weight on rail: 40 kg
 Curtain maximum height: 450 cm
 Available colours: lacquered white (RAL 9016)
 A slider every 10 cm approximately.



STANDARD ASSEMBLY:



Shuttle rail cut

MOTOR CHARACTERISTICS:

Silent motor; speed : 14-17 cm / second
 Variable speed start and end of race
 Motor 24 volts; 1 nm
 Transfo 24 volts integrated at motor
 Motor bloc dimensions : 70 x 50 x 200 mm
 End of race full automatic
 Automatic disengagement in case of power failure
 Technology Touch Control : start of the motor by simple action on the curtain



ORDER TYPE:

Radio control



Remote control 15 channel
Ref. 520 100 1460



Radio wall button 2 channel
Ref. 520 100 1480

Wired



Wall switch
Ref. 520 100 1900